

HARLEY DAVIDSON SPORTSTER XL 1200X '15-

REF 20399

ABS FRONT PLATE

REF 20400

ALUMINUM FRONT PLATE



1 Person



15 min




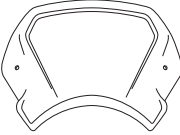

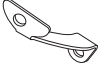
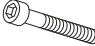




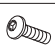




EASY



TORX
T° 45



ALLEN
N° 3
N° 6

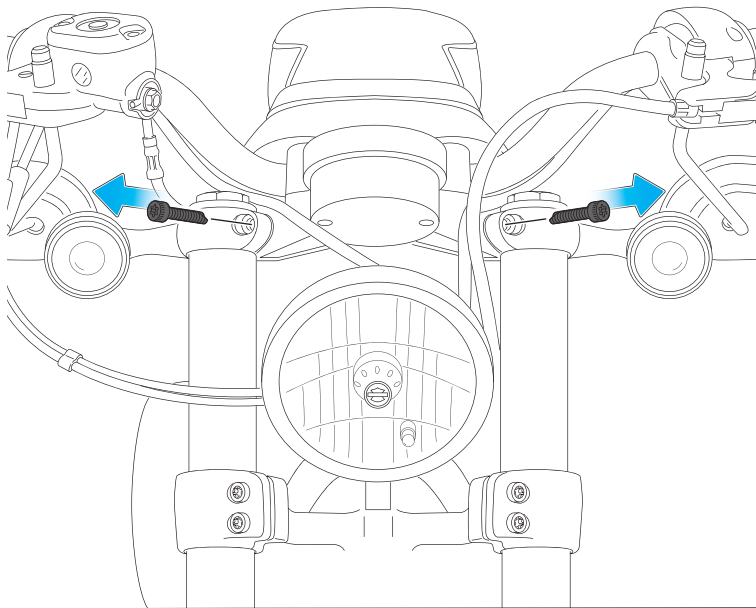
ID	PIEZA/PART	DESCRIPCIÓN	DESCRIPTION	QTY	REF
1		Placa frontal ABS	ABS front plate	1	10526J/C
		Placa frontal ALUMINIO	ALUMINUM front plate	1	9807P/N
2		Soporte izquierdo	Left support	1	SOPOR2P1-L20400
3		Soporte derecho	Right support	1	SOPOR2P1-R20400
4		Tornillo Allen ANSIB 18.3 CLASE 12.9 UNC 3/8" X 56	ANSIB 18.3 CLASE 12.9 UNC 3/8" X 56 Allen screw	2	TORNI-ANSIB-855
5		Casquillo Ø10x Ø14x 20	Ø10x Ø14x 20 bush	2	CASQUI-----299
6		Silentblock M5	M5 silentblock	2	SILENBTM5-046/1
7		Arandela nylon M5x1	M5x1 nylon washer	2	ARNV0000000245
8		Tornillo Allen M5x16 Ø11 ISO 7380 (Inox)	M5x16 Ø11 ISO 7380 Allen screw (inox)	2	TORNIAI7380-314
9		Tornillo Allen M5x16 Ø11 ISO 7380 (Negro)	M5x16 Ø11 ISO 7380 Allen screw (black)	2	TORNI-I7380-493
10		Tapón tornillo M5	M5 screw cap	2	TAPON-----85
11		Separador de silicona Ø8 x2 (se suministra montada con las piezas 1/2)	Ø8 x2 silicon spacers (supplied already mounted on items 1/2)	4	ADHESI-GT-D8---
12		Ribete 6,2x2,6mm longitud 190mm	6,2x2,6mm trim length 190mm	1	PERFIL-PVC-1048
13		Kit adhesivos	Sticker set	1	10535

HARLEY DAVIDSON SPORTSTER XL 1200X '15-

INSTRUCCIONES DE MONTAJE - MOUNTING INSTRUCTIONS - MONTAGEANLEITUNG

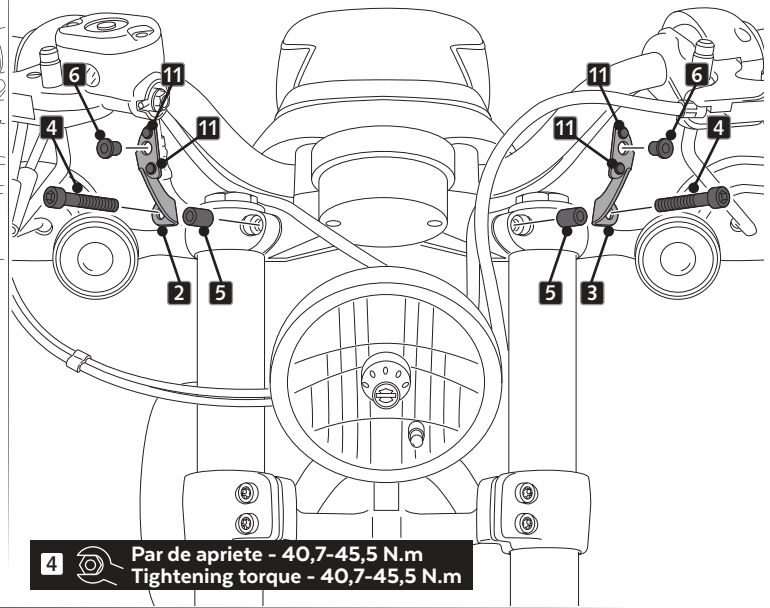
1


**DISASSEMBLY
DESMONTAJE**



2

**ASSEMBLY
MONTAJE**

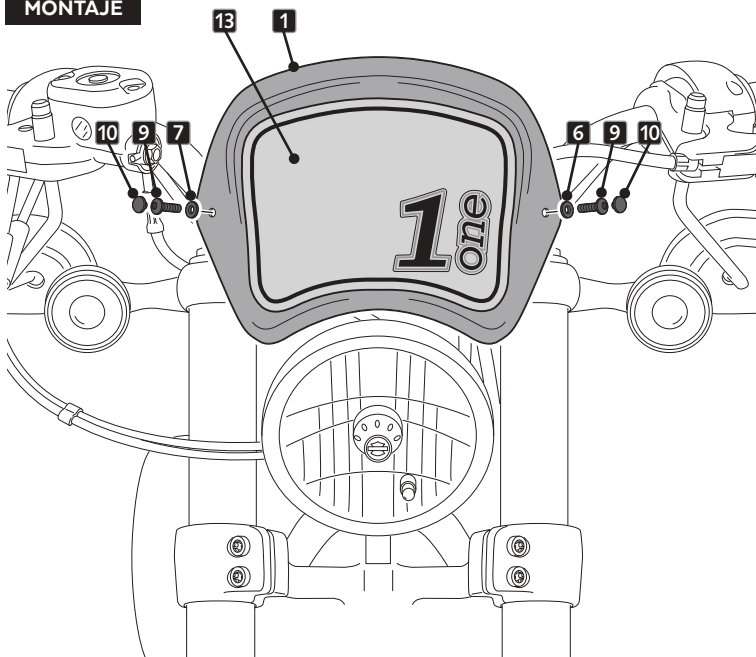


4  Par de apriete - 40,7-45,5 N.m
Tightening torque - 40,7-45,5 N.m

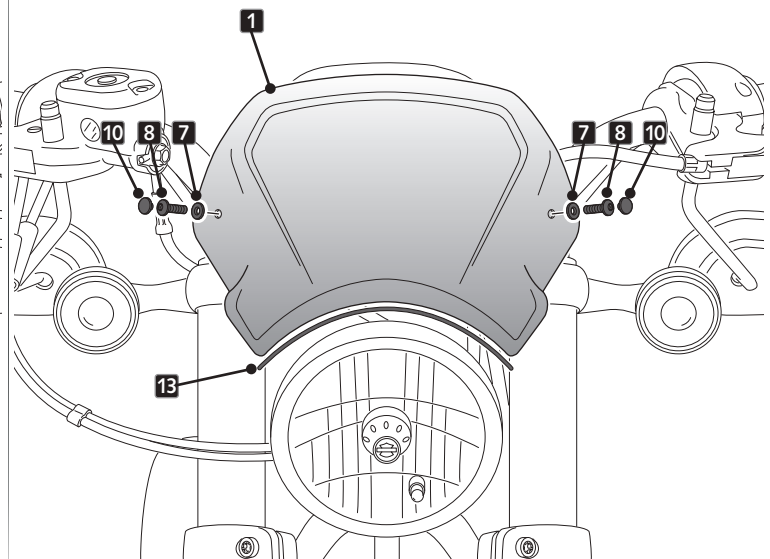
3

**ASSEMBLY
MONTAJE**

ABS



ALUMINIUM



! PONER RIBETE ANTES DE MONTAR LA PLACA FRONTAL.
PLACE TRIM BEFORE MOUNTING THE FRONTAL PLATE.