

YAMAHA MT09 '21- / MT09 TRACER GT '21-

M O U N T I N G I N S T R U C T I O N S

REF 20646

QUILLA / ENGINE SPOILER



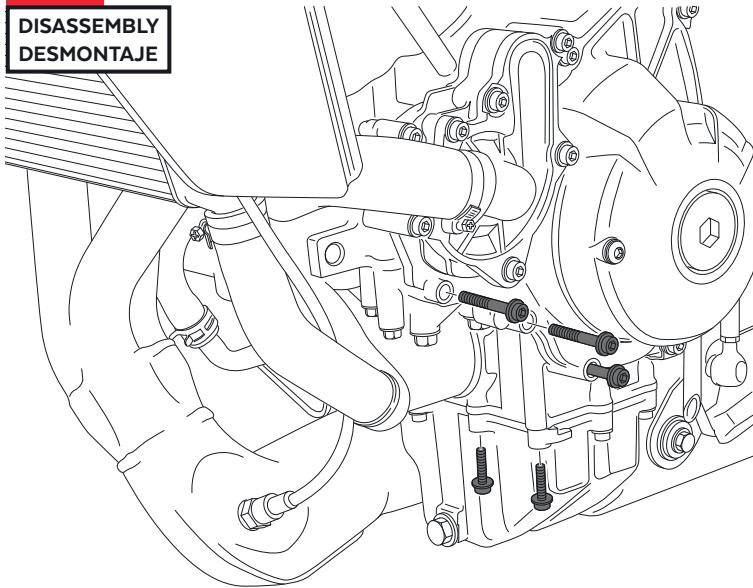
| ID | PIEZA/PART | DESCRIPCIÓN | DESCRIPTION | QTY | REF |
|----|------------|--------------------------------------|---------------------------------|-----|-----------------|
| 1 | | Quilla lateral derecho (ABS) | Engine spoiler Right side (ABS) | 1 | 20646C/JM3 |
| 2 | | Quilla lateral izquierda (ABS) | Engine spoiler Left side (ABS) | 1 | 20646C/JM3 |
| 3 | | Quilla central (METÁLICA) | Central engine spoiler (METAL) | 1 | SOPOR7P8--20646 |
| 4 | | Soporte delantero izquierdo (L3 ...) | Left front support (L3 ...) | 1 | SOPOR7P8L320646 |
| 5 | | Soporte central izquierdo (L2 ..) | Left central support (L2 ..) | 1 | SOPOR7P8L220646 |
| 6 | | Soporte trasero izquierdo (L1) | Left rear support (L1) | 1 | SOPOR7P8L120646 |
| 7 | | Soporte delantero derecho (R3 ...) | Right front support (R3 ...) | 1 | SOPOR7P8R320646 |
| 8 | | Soporte central derecho (R2 ..) | Right central support (R2 ..) | 1 | SOPOR7P8R220646 |
| 9 | | Soporte trasero derecho (R1) | Right rear support (R1) | 1 | SOPOR7P8R120646 |
| 10 | | Tornillo M6x16 Ø14 ISO 7380 | M6x16 Ø14 ISO 7380 Allen screw | 1 | TORNI-I7380-403 |
| 11 | | Casquillo con valona Ø15 xØ9 x7,5 | Ø15 xØ9 x7,5 Bush with flange | 1 | CASQUI-1A---324 |
| 12 | | Silentblock Ø18x Ø9 x 8 | Ø18x Ø9 x 8 Silentblock | 1 | SILENBGONE--064 |
| 13 | | Tuerca ciega M6 | M6 Nut | 1 | TUERCA-----639 |
| 14 | | Tornillo M8x20 DIN912 | M8x20 DIN912 screw | 1 | TORNI-D912--164 |
| 15 | | Tuerca M8 autoblocante | M8 lock nut | 1 | TUEA-D985.8-M8- |
| 16 | | Silentblock Ø9 xØ6 x8mm | Ø9 xØ6 x8mm Silentblock | 10 | AROPASACABLES-1 |
| 17 | | Casquillo con valona Ø12xØ6,8x7,3 | Ø12xØ6,8x7,3 Bush with flange | 10 | CASQUI-1A---750 |
| 18 | | Tornillo Allen M5x16 Ø11 ISO 7380 | M5x16 Ø11 ISO 7380 Allen screw | 10 | TORNI-I7380-493 |
| 19 | | Tapón tornillo M5 ISO 7380 | M5 ISO 7380 screw cap | 10 | TAPON-----85 |

YAMAHA MT09 '21- / MT09 TRACER GT '21-

INSTRUCCIONES DE MONTAJE - MOUNTING INSTRUCTIONS - MONTAGEANLEITUNG

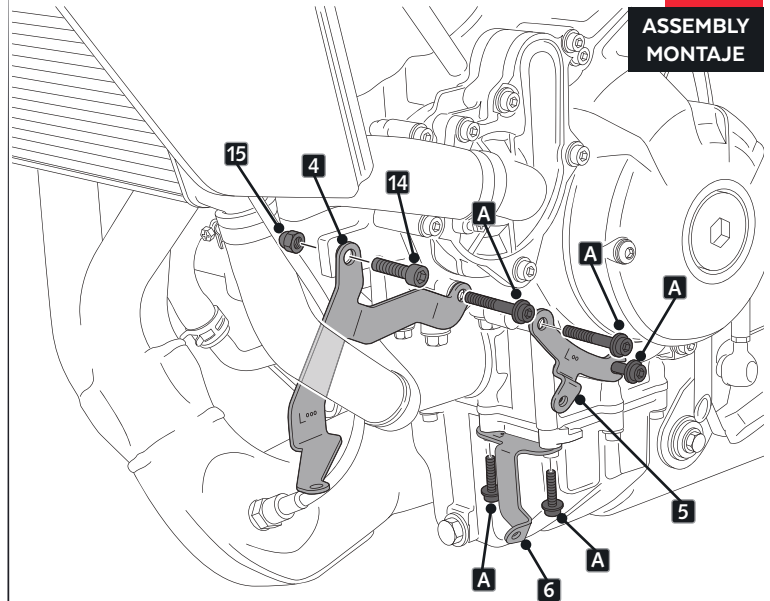
1

**DISASSEMBLY
DESMONTAJE**



2

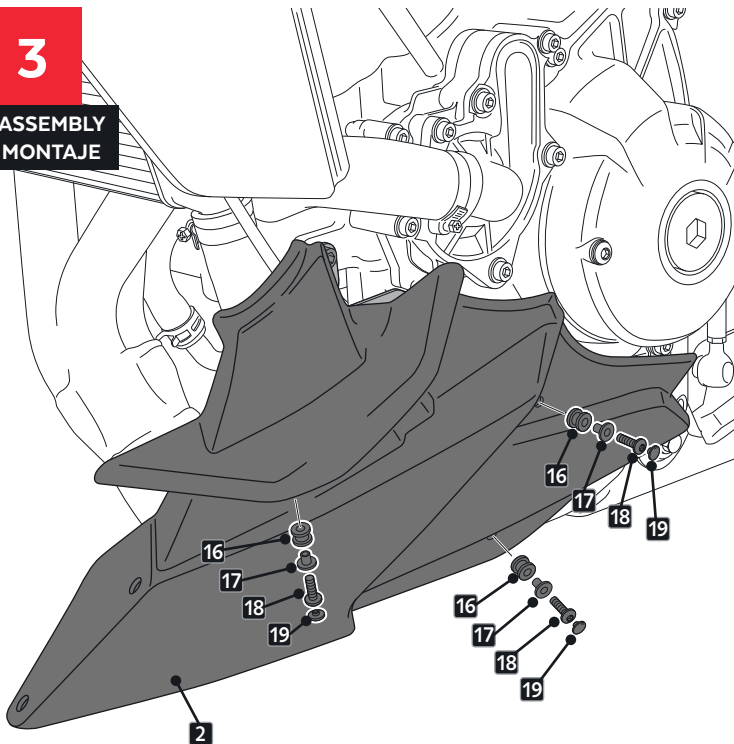
**ASSEMBLY
MONTAJE**



A PIEZA ORIGINAL
ORIGINAL PART

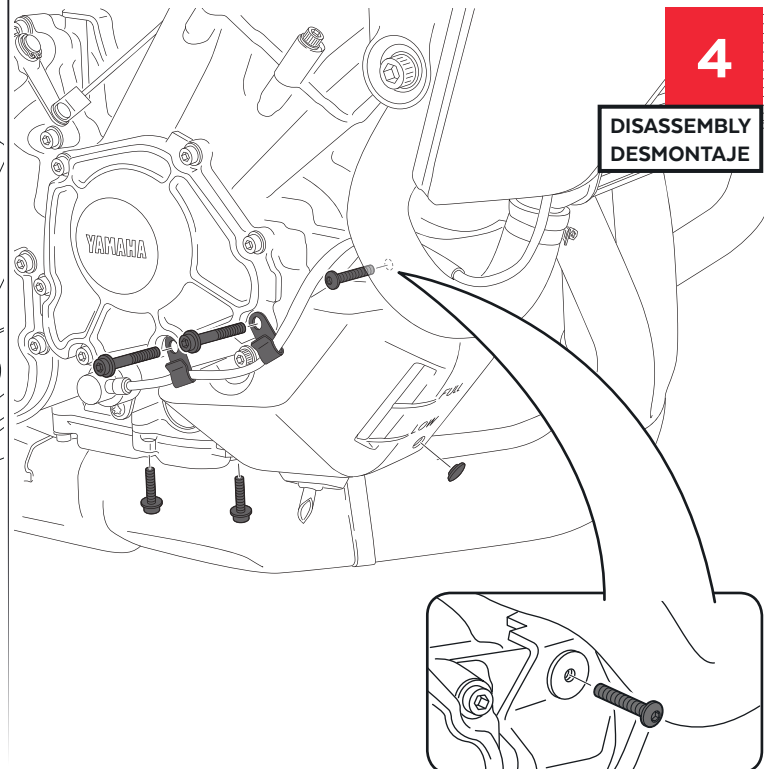
3

**ASSEMBLY
MONTAJE**



4

**DISASSEMBLY
DESMONTAJE**

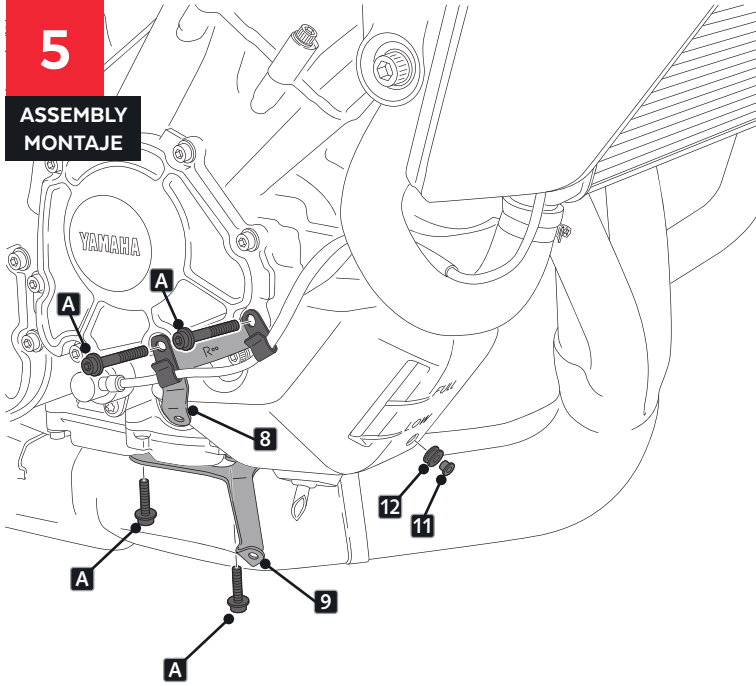


YAMAHA MT09 '21- / MT09 TRACER GT '21-

INSTRUCCIONES DE MONTAJE - MOUNTING INSTRUCTIONS - MONTAGEANLEITUNG

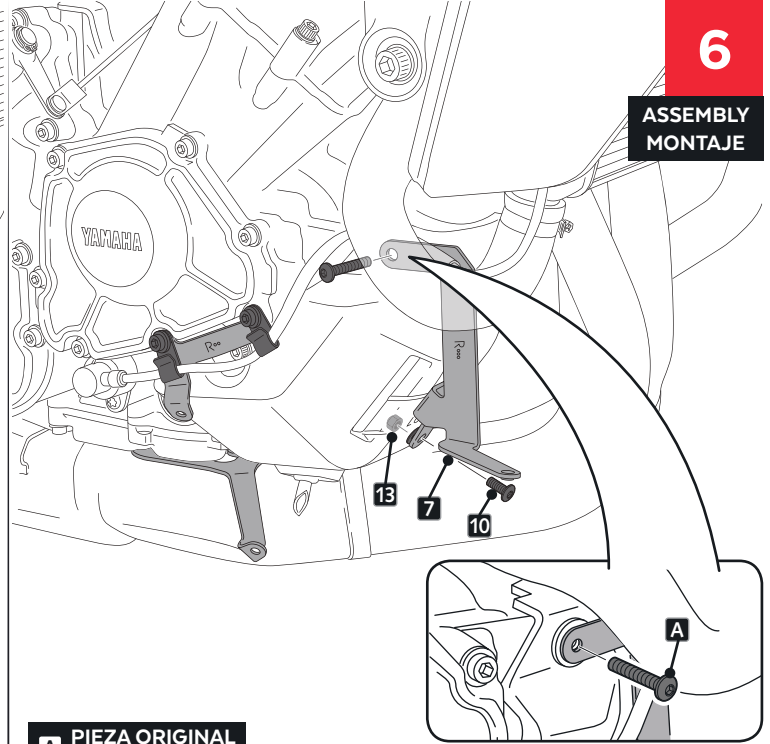
5

ASSEMBLY
MONTAJE



6

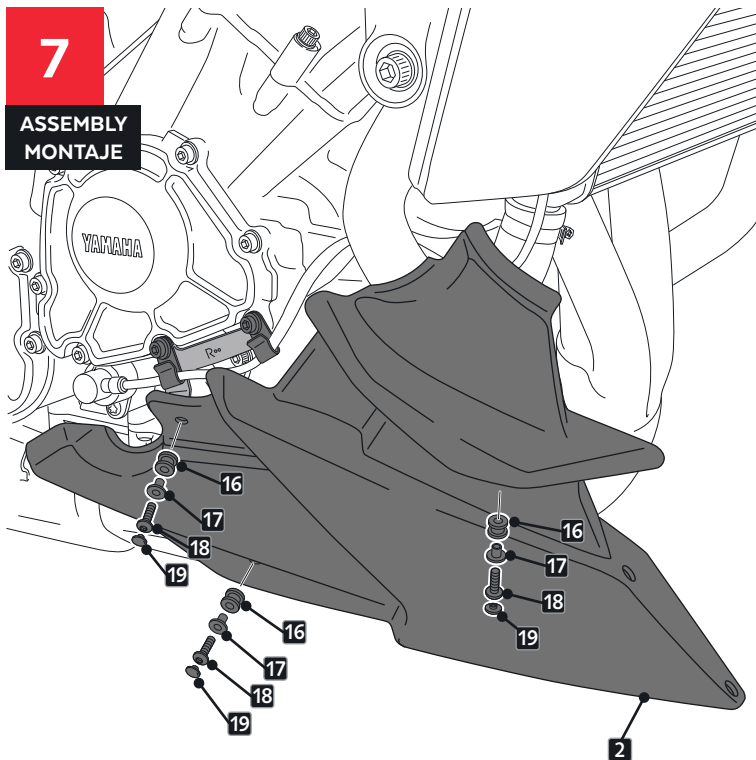
ASSEMBLY
MONTAJE



A PIEZA ORIGINAL
ORIGINAL PART

7

ASSEMBLY
MONTAJE



8

ASSEMBLY
MONTAJE

