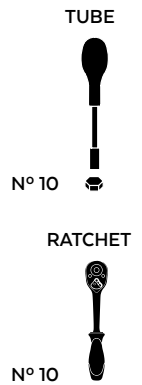


KTM 1290 SUPER ADVENTURE S '21-  
KTM 1290 SUPER ADVENTURE R '21-

M O U N T I N G I N S T R U C T I O N S

REF 20801N

PROTECTOR BASCULANTE PHB19 / PHB19 PROTECTOR SWINGARM



| ID. | PIEZA / PART | QTY. | REF.:           |
|-----|--------------|------|-----------------|
| 1   |              | 1    | PROBAS50-1-0050 |
| 2   |              | 1    | PROBAS01-2-0001 |
| 3   |              | 1    | VARIFO28-0-0028 |
| 4   |              | 2    | TUZBM6000000024 |
| 5   |              | 2    | ARANDEPD125-054 |
| 6   |              | 2    | TAPAFINALR17-18 |

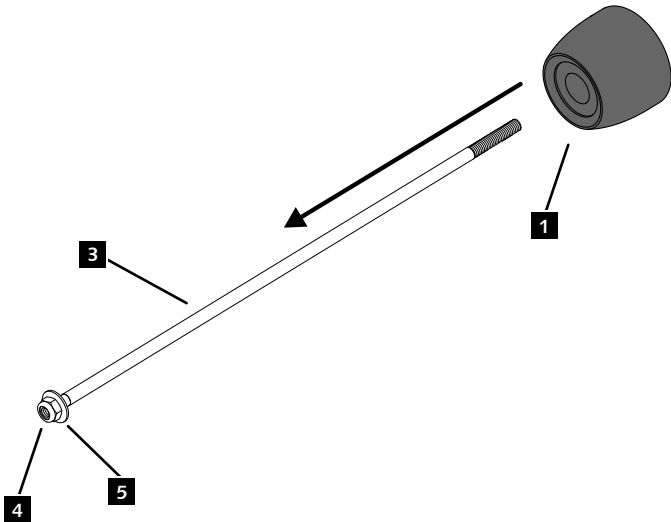
**KTM 1290 SUPER ADVENTURE S '21-  
KTM 1290 SUPER ADVENTURE R '21-**

REF  
20801N

INSTRUCCIONES DE MONTAJE - MOUNTING INSTRUCTIONS - MONTAGEANLEITUNG

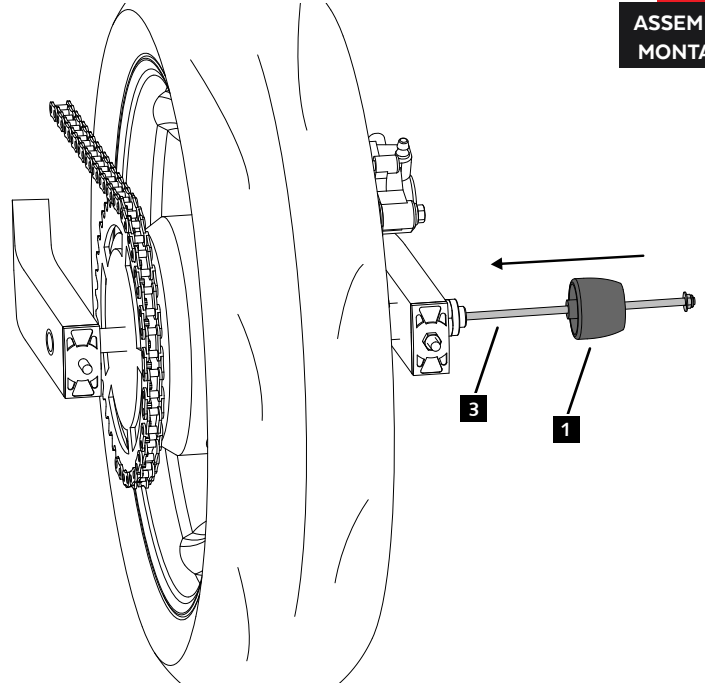
**1**

ASSEMBLY  
MONTAJE



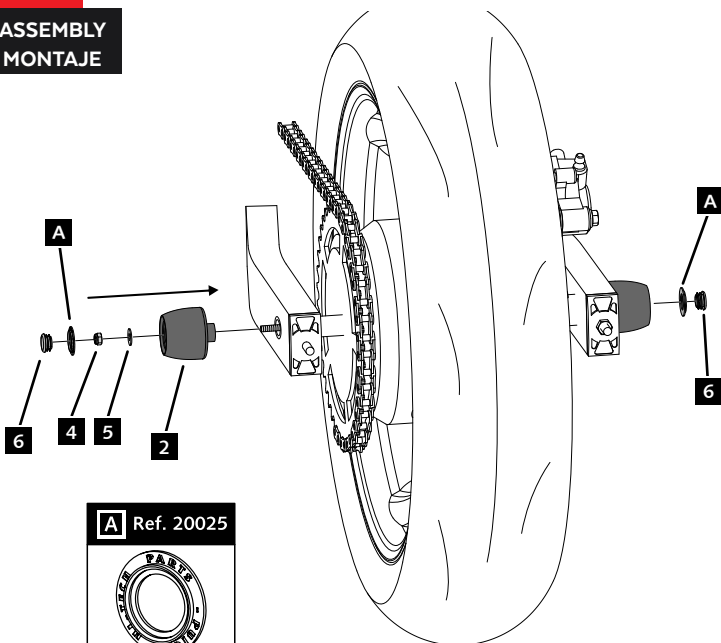
**2**


ASSEMBLY  
MONTAJE

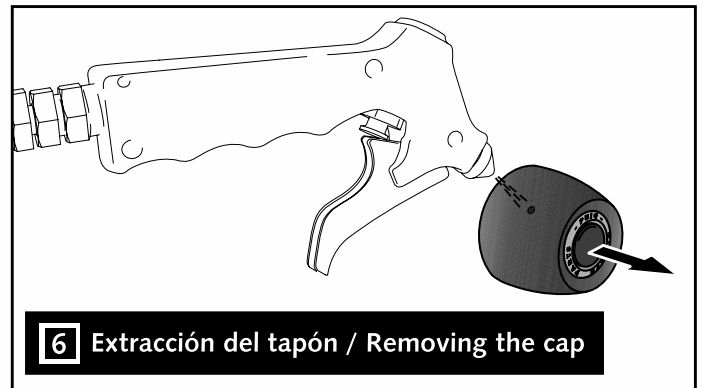


**3**

ASSEMBLY  
MONTAJE



**4**  9.7 N/m - Par de apriete  
86 lbf/in - Tightening torque



**6** Extracción del tapón / Removing the cap