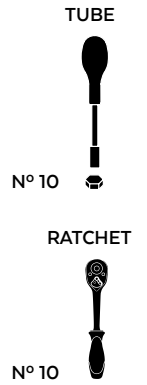


# YAMAHA T-MAX 560 '22-

REF 21284N

PROTECTOR HORQUILLA PHB19 / PHB19 PROTECTOR FRONT-AXLE



| ID. | PIEZA / PART | QTY. | REF.:           |
|-----|--------------|------|-----------------|
| 1   |              | 1    | PROFOR11-3-0755 |
| 2   |              | 1    | PROFOR01-4-0745 |
| 3   |              | 1    | VARIFO07-2-0007 |
| 4   |              | 2    | TUZBM6000000024 |
| 5   |              | 2    | ARANDEPD125-054 |
| 6   |              | 1    | M2AM14DIN125AZB |
| 7   |              | 1    | M2TM14150020A8B |
| 8   |              | 2    | TAPAFINALR17-18 |

Created by www.rddisney.com

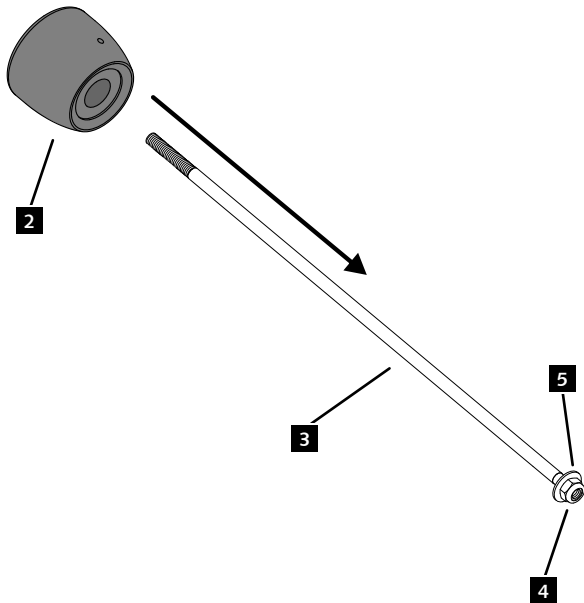
# YAMAHA T-MAX 560 '22-

REF 21284N

INSTRUCCIONES DE MONTAJE - MOUNTING INSTRUCTIONS - MONTAGEANLEITUNG

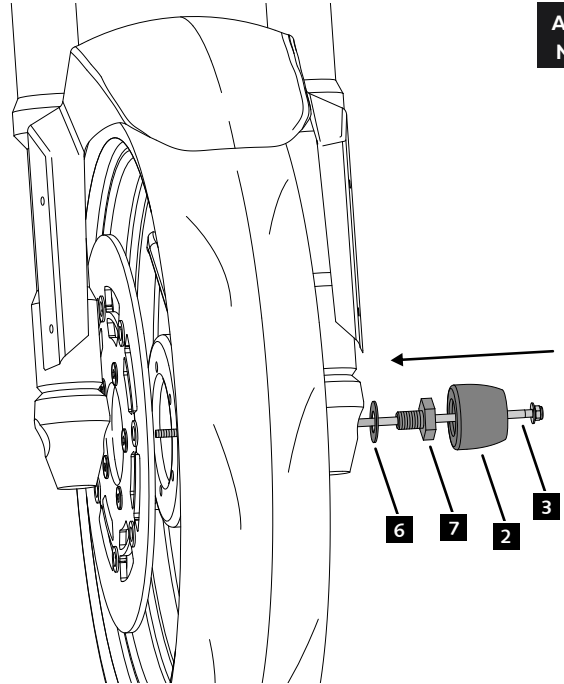
**1**

ASSEMBLY  
MONTAJE



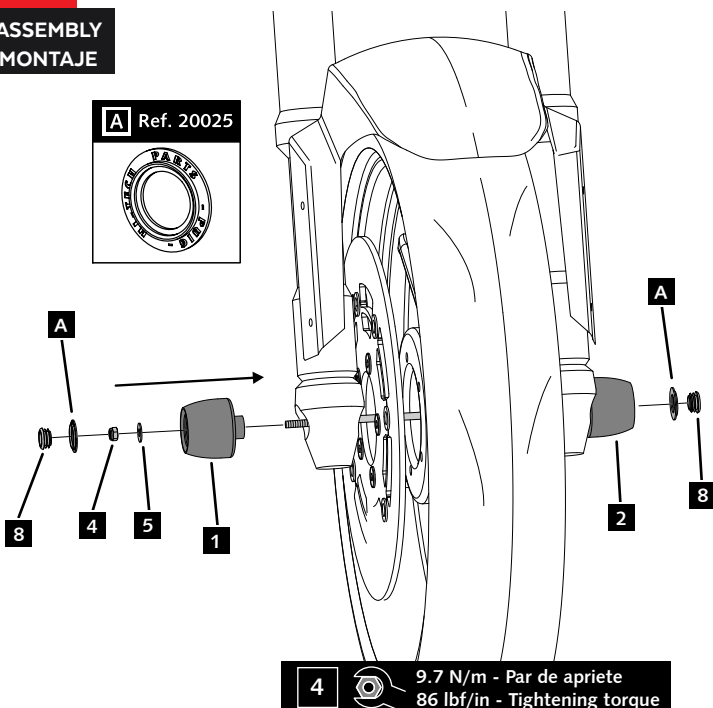
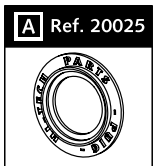
**2**


ASSEMBLY  
MONTAJE



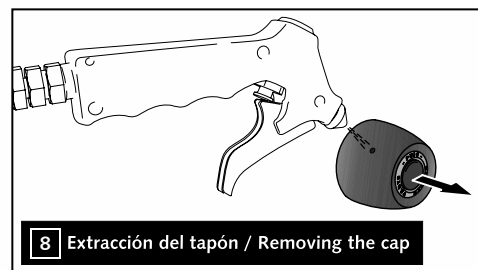
**3**

ASSEMBLY  
MONTAJE



**4**  9.7 N/m - Par de apriete  
86 lbf/in - Tightening torque

CONSULTAR EN NUESTRA PAGINA WEB LA  
DISPONIBILIDAD DEL VIDEO DE MONTAJE DE  
ESTA REFERENCIA.  
CONSULT OUR WEBSITE THE VIDEO MOUNT  
AVAILABILITY OF THIS REFERENCE.



**8** Extracción del tapón / Removing the cap