

BMW F750GS / F850GS / F850GS ADV.

M O U N T I N G I N S T R U C T I O N S

REF 21464

OIL-CARTER GUARD



TORX
T25

ALLEN
Nº 5
Nº 6

ID	PIEZA/PART	DESCRIPCIÓN	DESCRIPTION	QTY	REF
1		Protector de aluminio	Aluminium plate protector	1	SOPOR2P1IP21464
2		Soporte metálico	Metal support	1	SOPOR2P1IS21464
3		Amortiguador antivibratorio silentblock Ø25x15 (M6x18, int M6x6)	Anti vibration damper silentblock Ø25x15 (M6x18, int M6x6)	2	SILENTBLOCK-529
4		Amortiguador antivibratorio silentblock Ø30x25 (M8x15, int M8x8)	Anti vibration damper silentblock Ø30x25 (M8x15, int M8x8)	2	SILENTBLOCK-540
5		Tornillo Allen M6x10 DIN7991	M6x10 DIN7991 Allen screw	2	TORNI-D7991-898
6		Tornillo Allen M8x12 DIN7991	M8x12 DIN7991 Allen screw	2	TORNI-D7991-899
7		Tornillo Allen M6x16 ISO 7380	M6x16 ISO 7380 Allen screw	2	TORNI-I7380-403

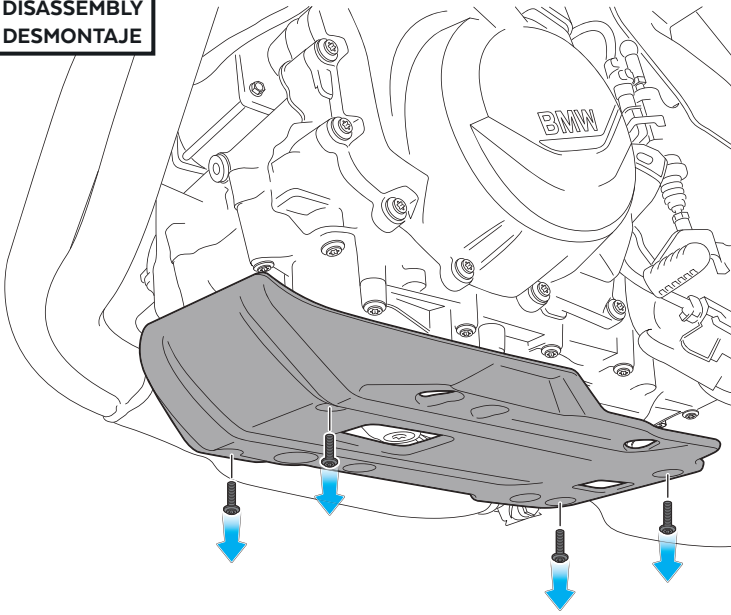
BMW F750GS / F850GS / F850GS ADV.

INSTRUCCIONES DE MONTAJE - MOUNTING INSTRUCTIONS - MONTAGEANLEITUNG

1

DISASSEMBLY ONLY NECESSARY ON
BMW F850GS AND F850GS ADVENTURE

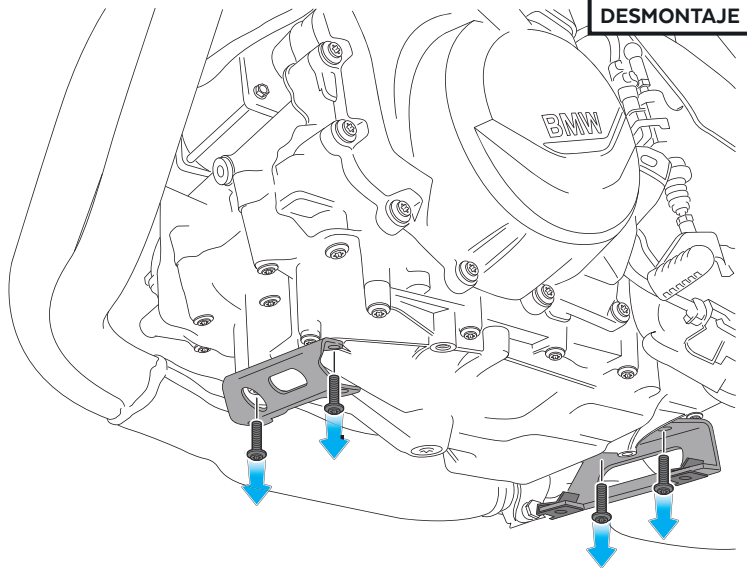
DISASSEMBLY
DESМONTAJE



2

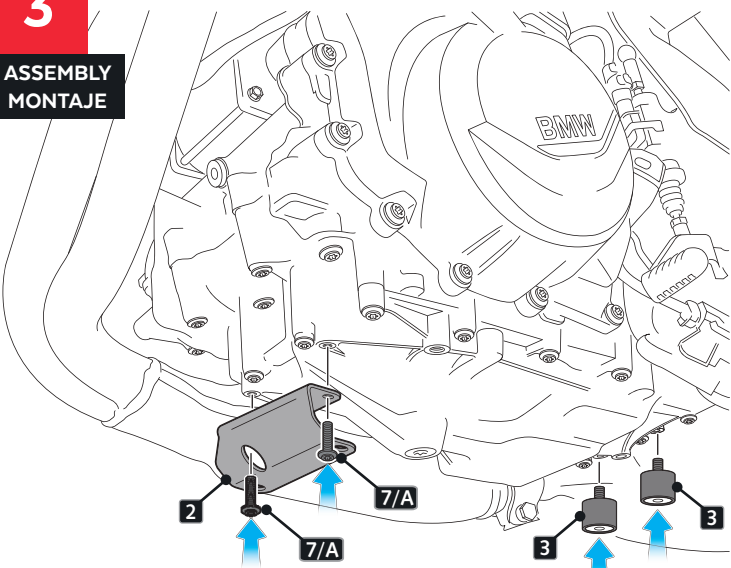
DISASSEMBLY ONLY NECESSARY ON
BMW F850GS AND F850GS ADVENTURE


DISASSEMBLY
DESМONTAJE



3

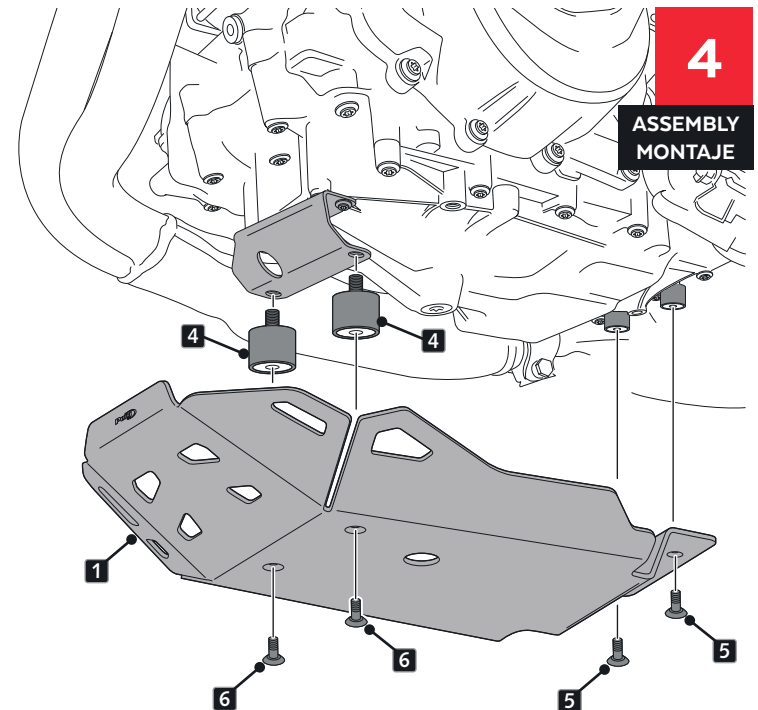
ASSEMBLY
MONTAJE





7/A  Par de apriete - 8 Nm
Tightening torque - 8Nm

4

ASSEMBLY
MONTAJE



6  Par de apriete - 10 Nm
Tightening torque - 10Nm

5  Par de apriete - 8 Nm
Tightening torque - 8Nm