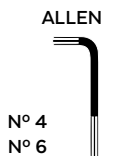
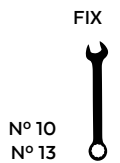


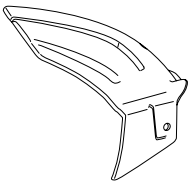
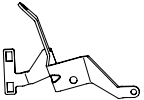
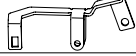


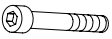



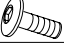
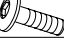




YAMAHA XT1200Z SUPER TÉNÉRÉ '10-

M O U N T I N G I N S T R U C T I O N S

REF 3567

GUARDABARROS TRASERO / REAR MUDGUARD



ID.	PIEZA/PART	DESCRIPCIÓN	DESCRIPTION	QTY.	REF.:
1		Guardabarros	Mudguard	1	3567J/CM3
2		Soporte superior	Upper Support	1	SOPOR2P6--3567
3		Soporte lateral	Side Support	1	SOPOR2P6--3567
4		Tornillo M8x40 DIN 912 12,9	M8x40 DIN 912 12,9 screw	1	TORNI-D912--549
5		Arandela metálica M8 DIN 125	M8 DIN 125 metallic washer	1	ARANDPD125A-018
6		Tornillo DIN 912 M6x30	DIN 912 M6x30 screw	1	TORNI-D912--725
7		Casquillo Ø8,5xØ14x15	Ø8,5xØ14x15 bush	1	CASQUI81415-101
8		Tuerca autoblocante M6	M6 lock nut	1	TUZBM6000000024
9		Tornillo Allen M6x16 Ø14 ISO7380	M6x16 Ø14 ISO7380 Allen screw	1	TORNI-I7380-403
10		Tornillo Allen M6x20 Ø14 ISO7380	M6x20 Ø14 ISO7380 Allen screw	3	TORNI-I7380-404
11		Tornillo Allen M6x25 Ø14 ISO7380	M6x25 Ø14 ISO7380 Allen screw	1	TORNI-I7380-405
12		Casquillo Ø6,5xØ9x6,6	Ø6,5xØ9x6,6 bush	4	CASQUI-----0046
13		Silentblock Ø18x Ø9 xØ11 x7,5	Ø18xØ9xØ11x7,5 silentblock	4	SILENBGONE--064
14		Tuerca enjalada de aluminio M6 (Se suministra montada)	Luck nut M6 (Supplied mounted)	3	TUERCAJFM6--716
15		Tapón tornillo M6 ISO 7380	M6 ISO 7380 screw cap	4	TAPON-----86

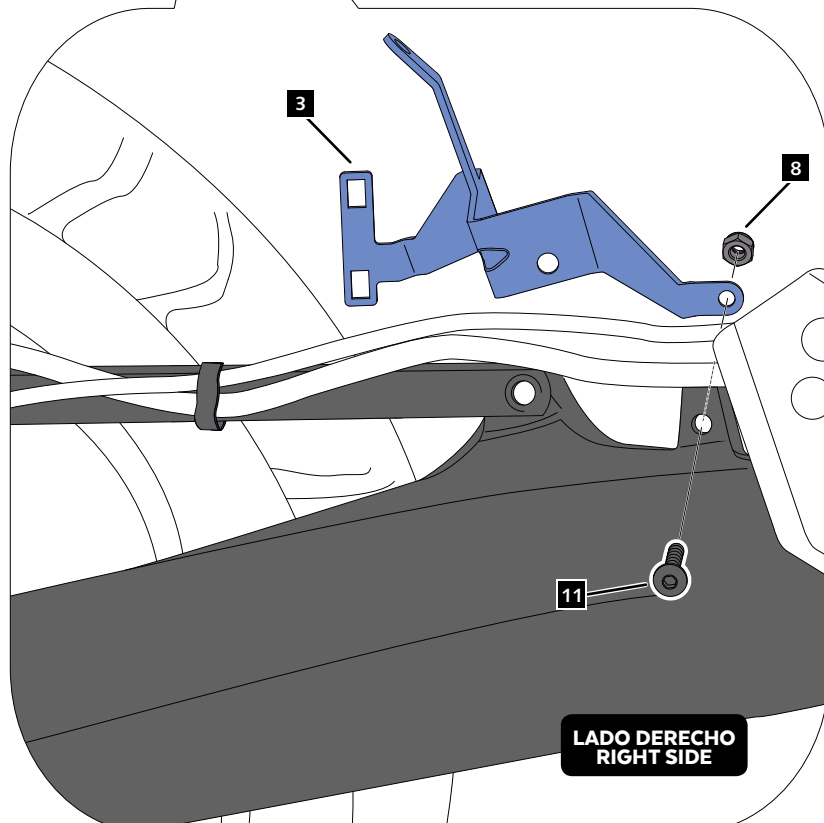
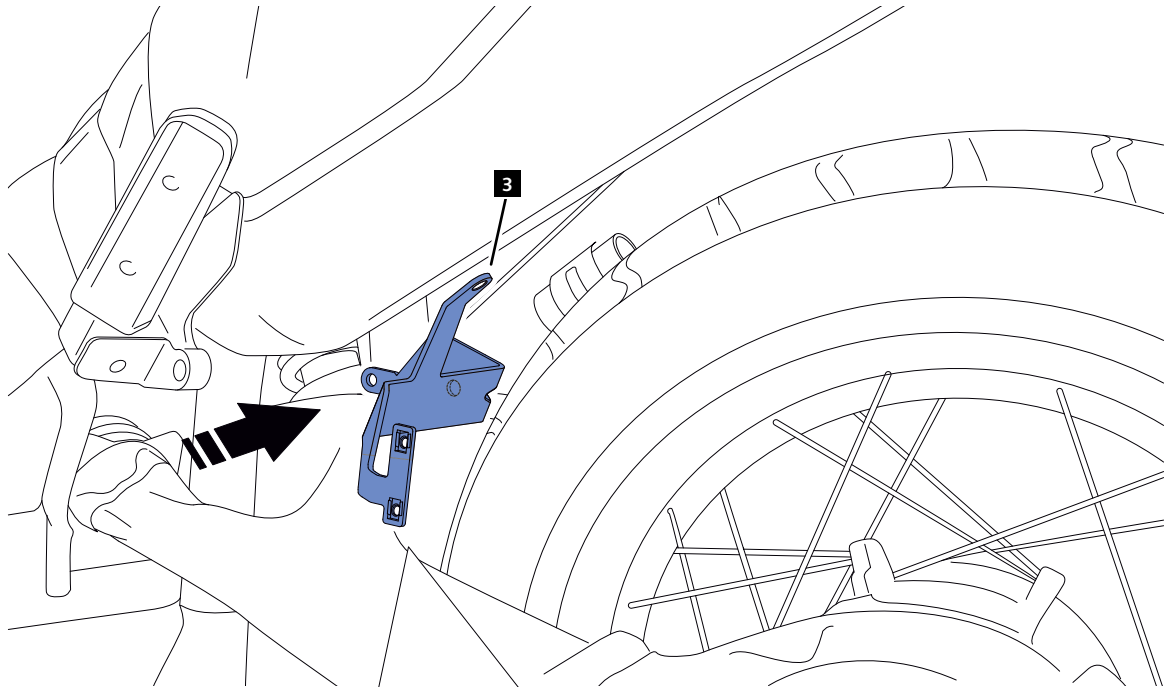
YAMAHA XT1200Z SUPER TÉNÉRÉ '10 -

INSTRUCCIONES DE MONTAJE - MOUNTING INSTRUCTIONS - MONTAGEANLEITUNG

1

ASSEMBLY
MONTAJE

LADO IZQUIERDO
LEFT SIDE



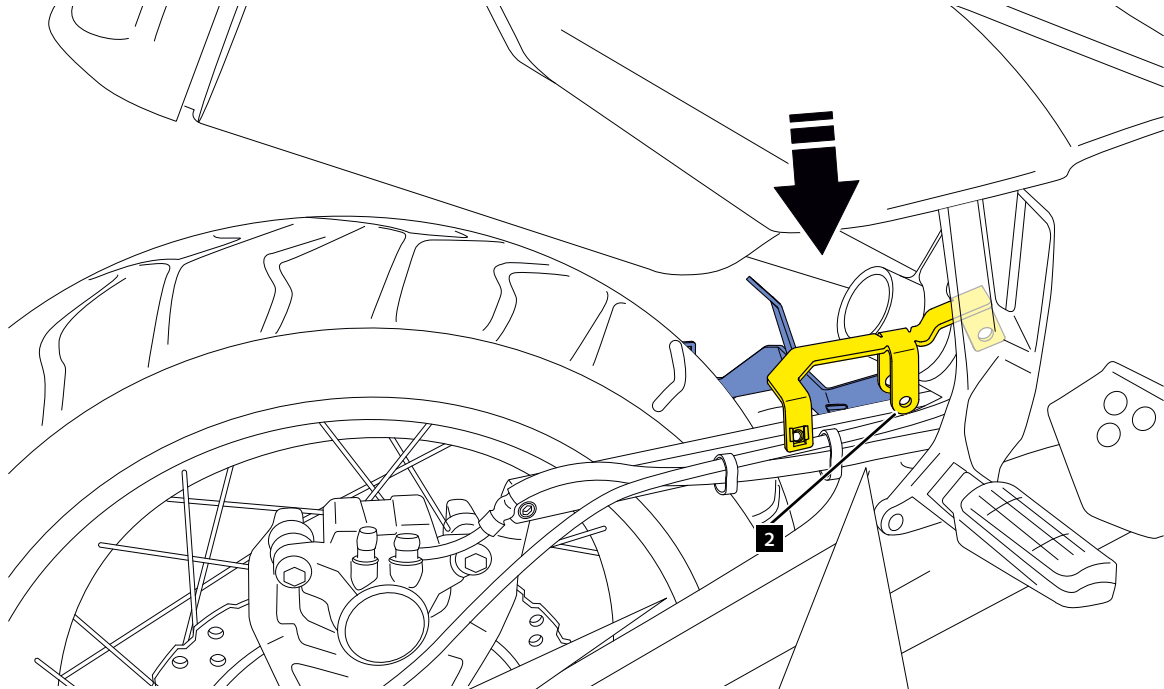
YAMAHA XT1200Z SUPER TÉNÉRÉ '10-

INSTRUCCIONES DE MONTAJE - MOUNTING INSTRUCTIONS - MONTAGEANLEITUNG

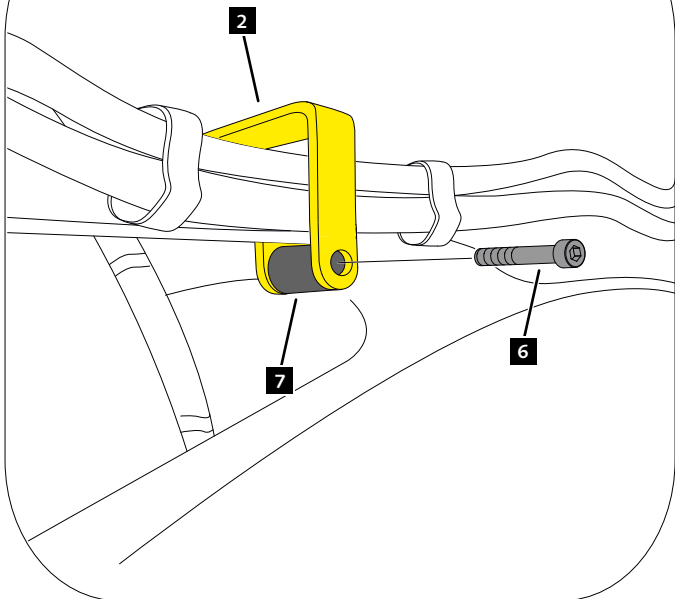
2

ASSEMBLY
MONTAJE

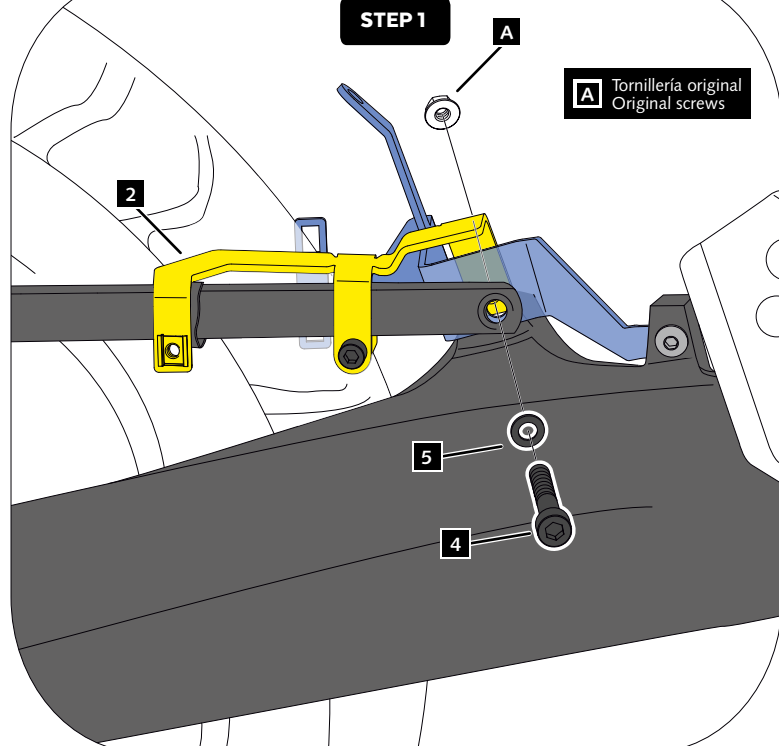
LADO DERECHO
RIGHT SIDE



STEP 2



STEP 1

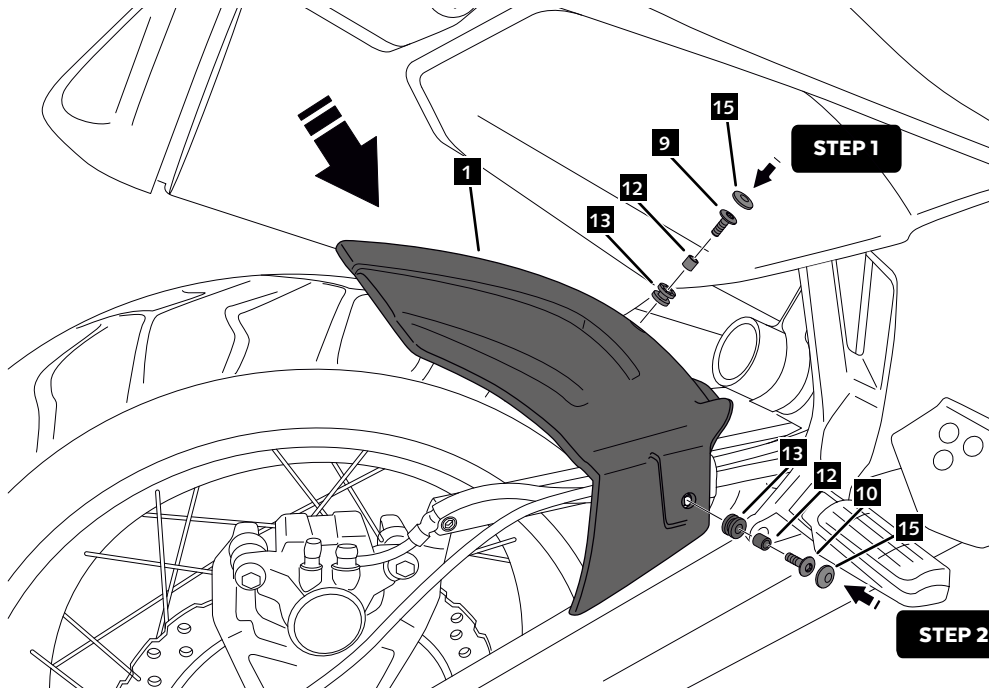


YAMAHA XT1200Z SUPER TÉNÉRÉ '10-

INSTRUCCIONES DE MONTAJE - MOUNTING INSTRUCTIONS - MONTAGEANLEITUNG

3

ASSEMBLY
MONTAJE



4

ASSEMBLY
MONTAJE

