

KTM 1290 SUPERADVENTURE / 1190 ADVENTURE / 1090 ADVENTURE

M O U N T I N G I N S T R U C T I O N S

REF 3670

REAR MUDGUARD



1 Person



30 min



MEDIUM



TORX
T25
T30

ALLEN
Nº 3
Nº 4

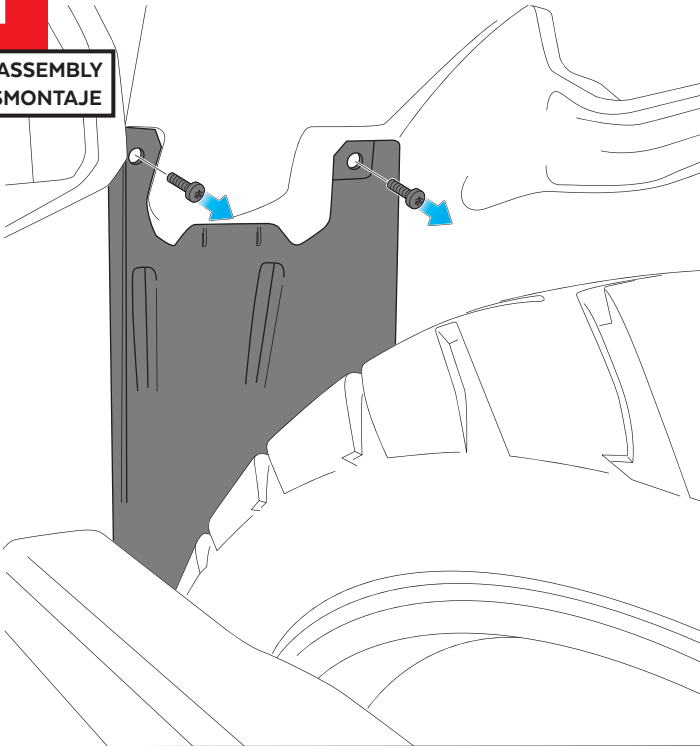
| ID | PIEZA/PART | DESCRIPCIÓN | DESCRIPTION | QTY | REF |
|----|------------|--|-------------------------------------|-----|-----------------|
| 1 | | Guardabarros | Mudguard | 1 | 3670J |
| 2 | | Soporte metálico izquierdo | Left metal support | 1 | SOPOR2P2-L-3670 |
| 3 | | Soporte metálico derecho | Right metal support | 1 | SOPOR2P2-R-3670 |
| 4 | | Tuerca enjaulada de aluminio M6 (se suministra montada) | Lock nut M6 (supplied assembled) | 2 | TUERCAJFM6--716 |
| 5 | | Tornillo Allen M6x20 Ø14 ISO7380 | M6x20 Ø14 ISO7380 Allen screw | 2 | TORNI-I7380-404 |
| 6 | | Tornillo Allen M5x16 Ø11 ISO7380 | M5x16 Ø11 ISO7380 Allen screw | 3 | TORNI-I7380-493 |
| 7 | | Tornillo Allen M5x11 Ø11 ISO7380 | M5x11 Ø11 ISO7380 Allen screw | 2 | TORNI-AI----520 |
| 8 | | Tapón tornillo M5 | M5 screw cap | 2 | TAPON-----85 |
| 9 | | Tapón tornillo M6 | M6 screw cap | 2 | TAPON-----86 |
| 10 | | Silentblock Ø18x Ø9 xØ11 x8 | Ø18x Ø9 xØ11 x8 silentblock | 4 | SILENBGONE--064 |
| 11 | | Casquillo con valona Ø15 xØ9 x7,5 | Ø15 xØ9 x7,5 bush with flange | 4 | CASQUI-1A---324 |
| 12 | | Casquillo Ø6 xØ8 x5,5 | Ø6 xØ8 x5,5 arrowhead | 1 | CASQUI-----641 |

KTM 1290 SUPERADVENTURE / 1190 ADVENTURE / 1090 ADVENTURE

INSTRUCCIONES DE MONTAJE - MOUNTING INSTRUCTIONS - MONTAGEANLEITUNG

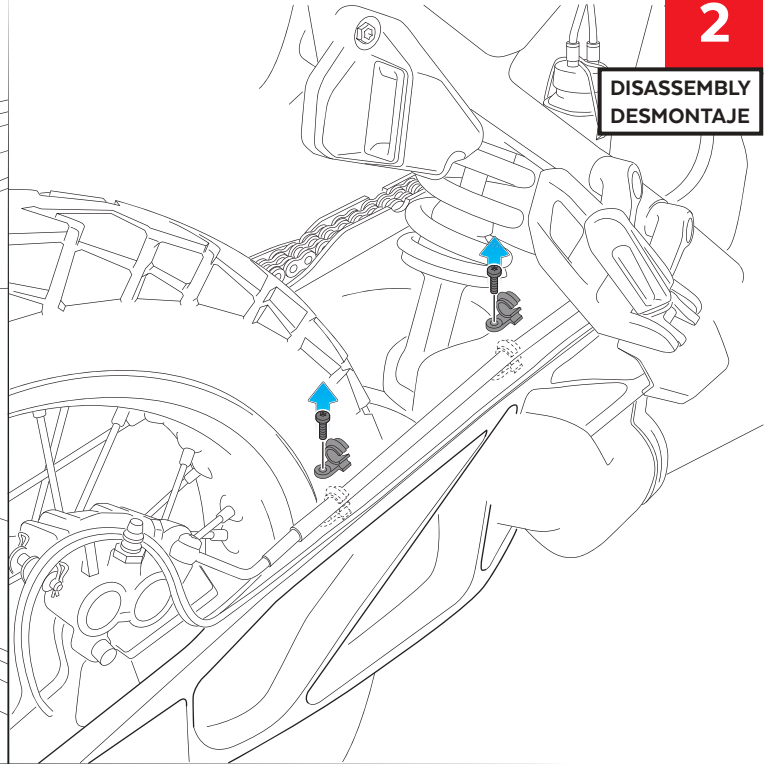
1

DISASSEMBLY
DESMONTAJE



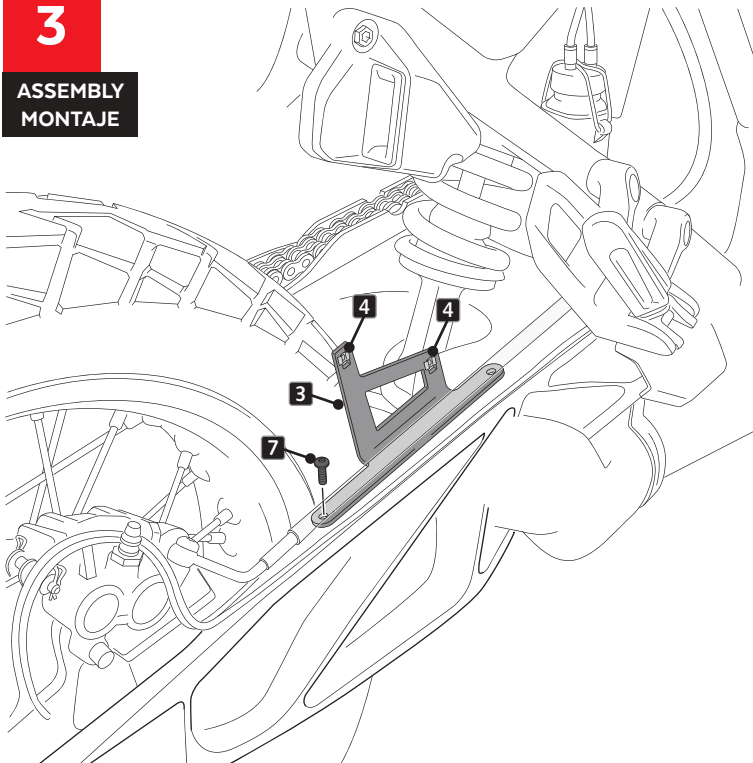
2

DISASSEMBLY
DESMONTAJE



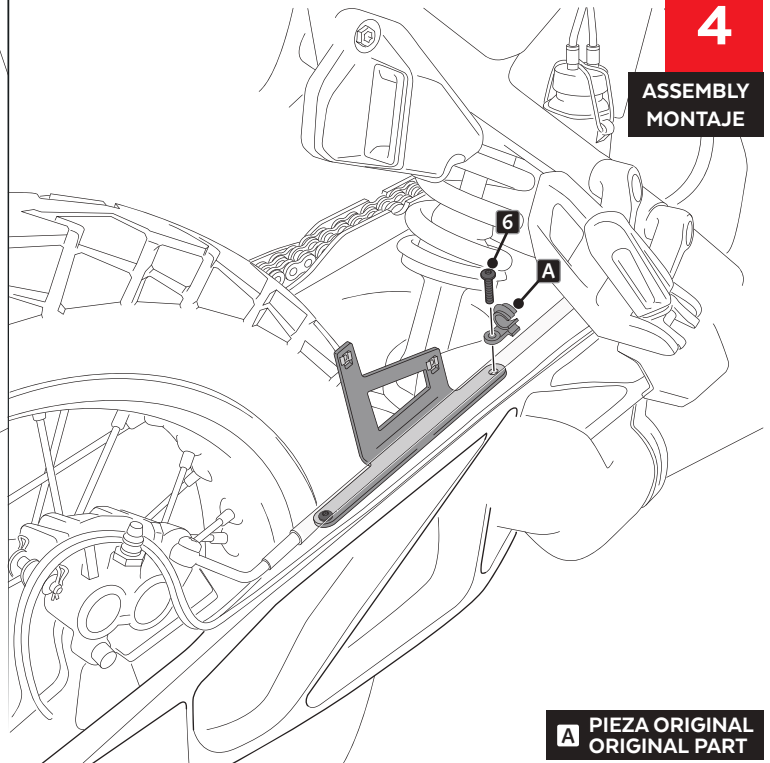
3

ASSEMBLY
MONTAJE



4

ASSEMBLY
MONTAJE



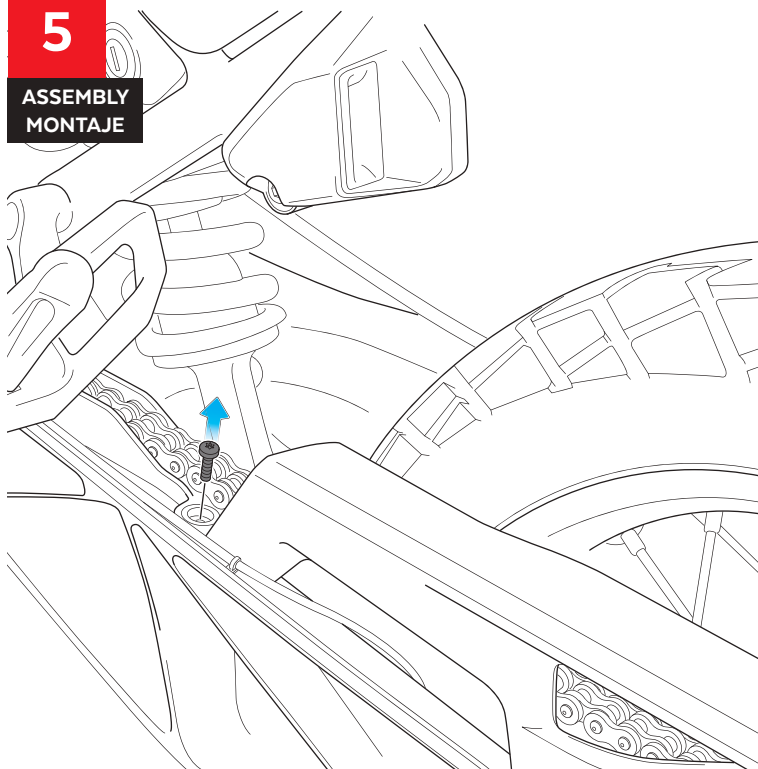
A PIEZA ORIGINAL
ORIGINAL PART

KTM 1290 SUPERADVENTURE / 1190 ADVENTURE / 1090 ADVENTURE

INSTRUCCIONES DE MONTAJE - MOUNTING INSTRUCTIONS - MONTAGEANLEITUNG

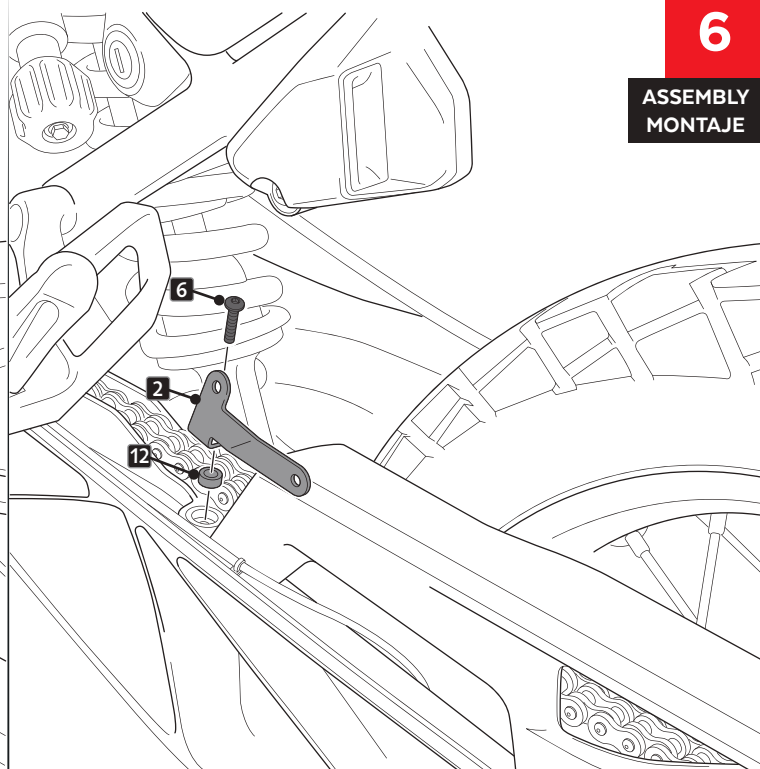
5

ASSEMBLY
MONTAJE



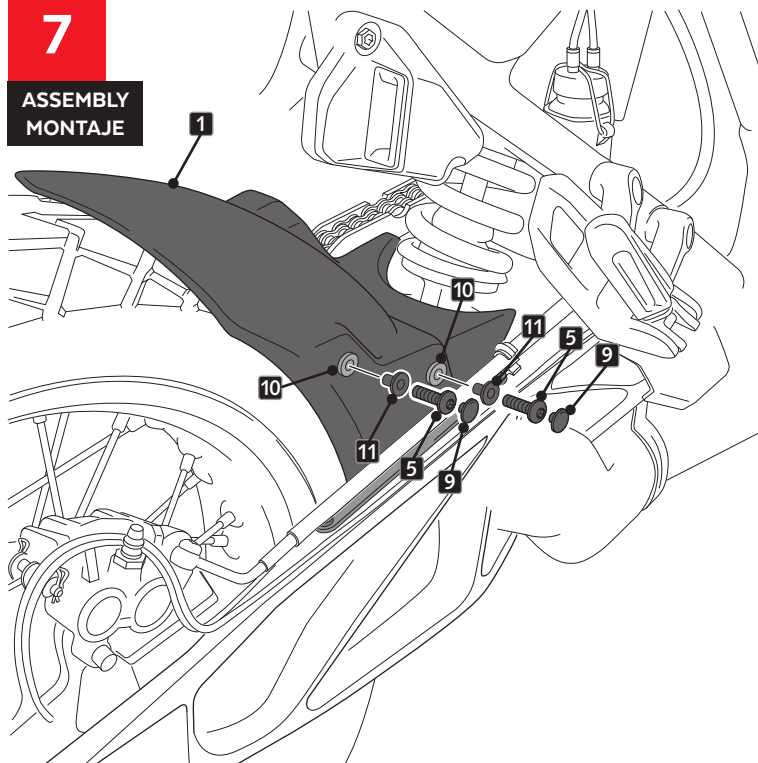
6

ASSEMBLY
MONTAJE



7

ASSEMBLY
MONTAJE



8

ASSEMBLY
MONTAJE

