

MOTOPLASTIC, S.A.

Molí de la sal, 1 - 08403 Granollers (Barcelona) SPAIN

Tel. 34 93 849 06 33 - Fax 34 93 849 09 88

info@puig.tv

www.puig.tv - www.puigusa.com

INSTRUCCIONES DE MONTAJE - MOUNTING INSTRUCTIONS

VISERA MULTIREGULABLE MULTI-ADJUSTABLE VISOR

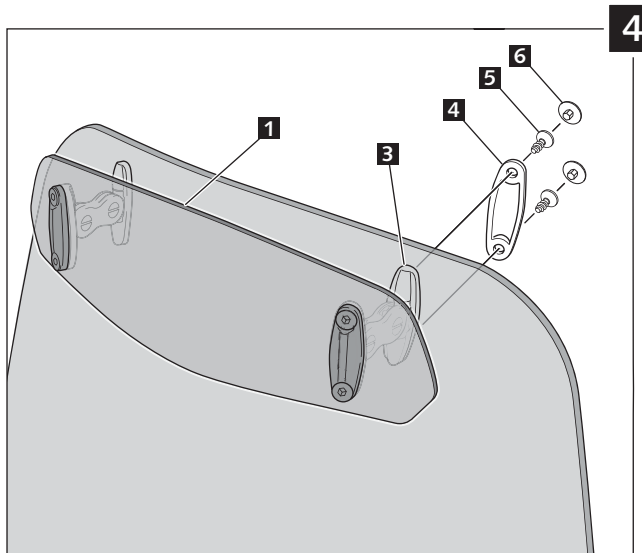
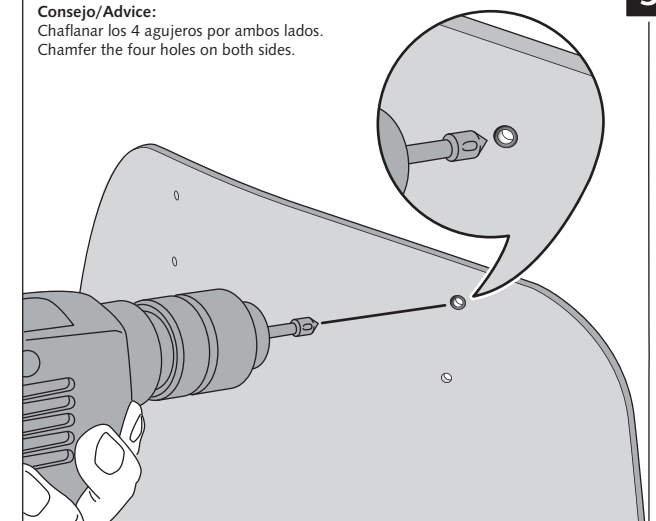
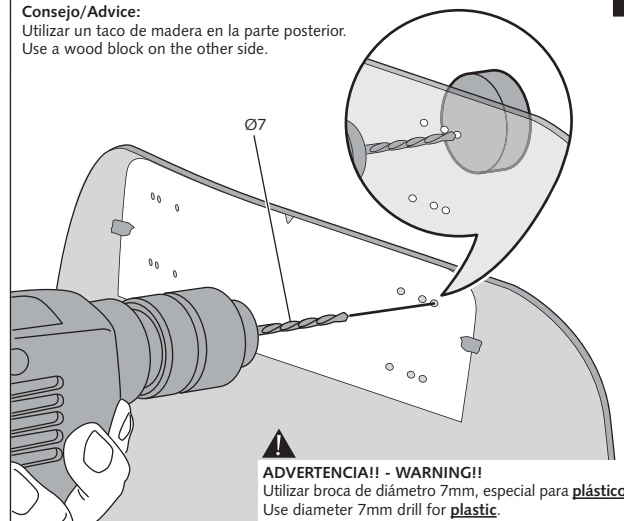
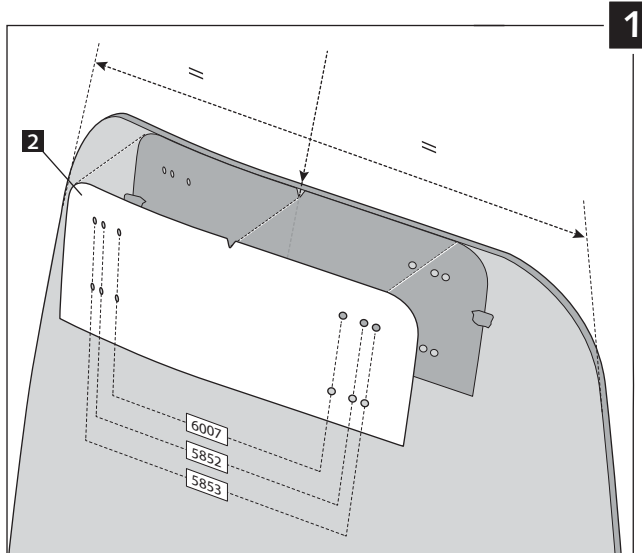
Ref. 6007

Ref. 5852

Ref. 5853

Ahumado/Smoke

Transparente/Clear



Nota/Note:

Si la visera se suministra con la cúpula Puig, no será necesario realizar los agujeros por que ya vienen incorporados.
If the visor is supplied along with the windscreen, the windscreen will come factory-drilled so no drilling is necessary.

ID.	DESCRIPCIÓN	DESCRIPTION	QTY.
1	Visera	Visor	1
2	Plantilla	Template	1
3	Mecanismo multiregulable	Multi-adjustable mechanism	2
4	Tapeta	Cap	4
5	Tornillo rosca plástico M6x12	Plastic thread fastener M6x12	8
6	Tapón tornillo	Screw cap	8